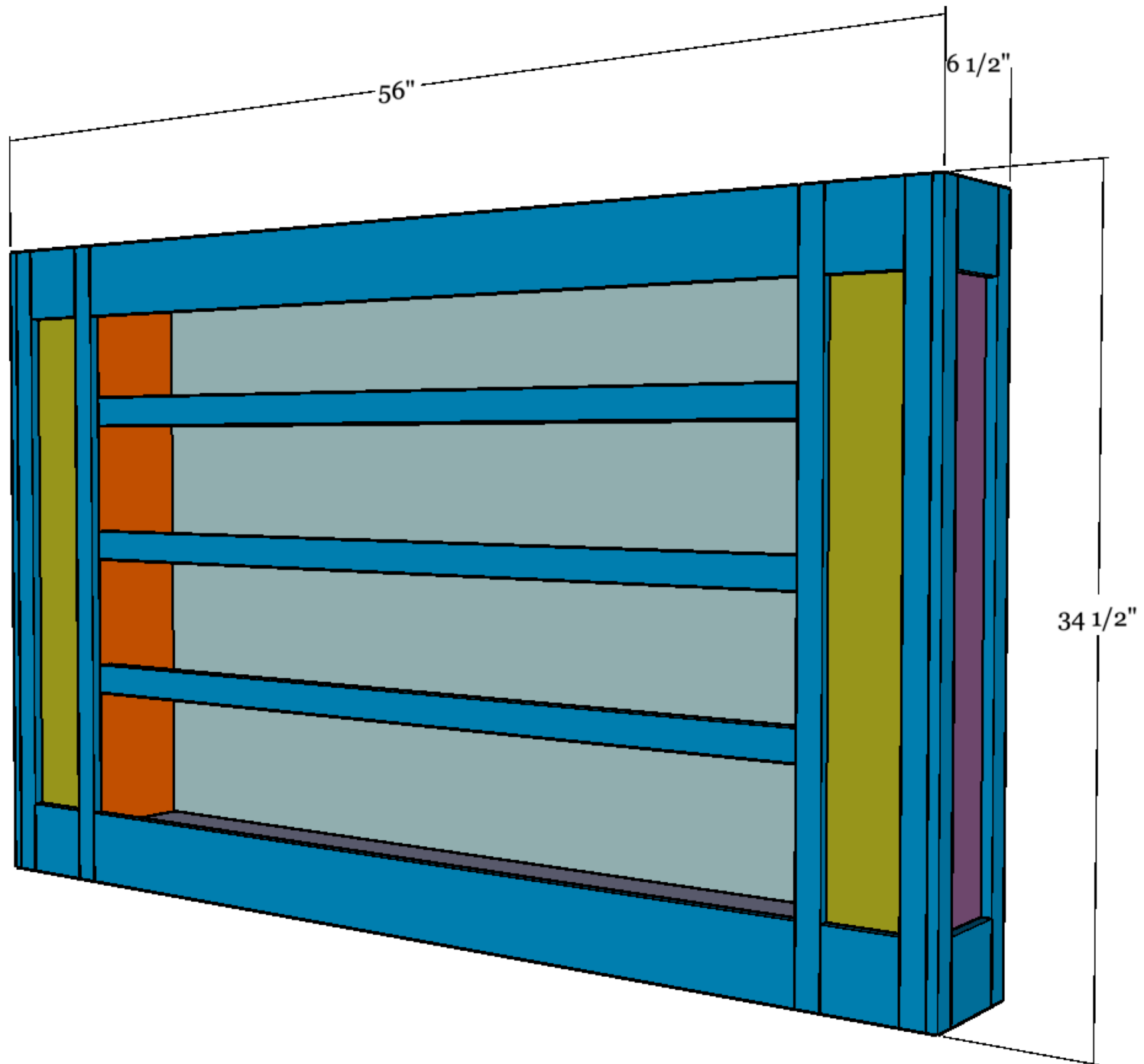


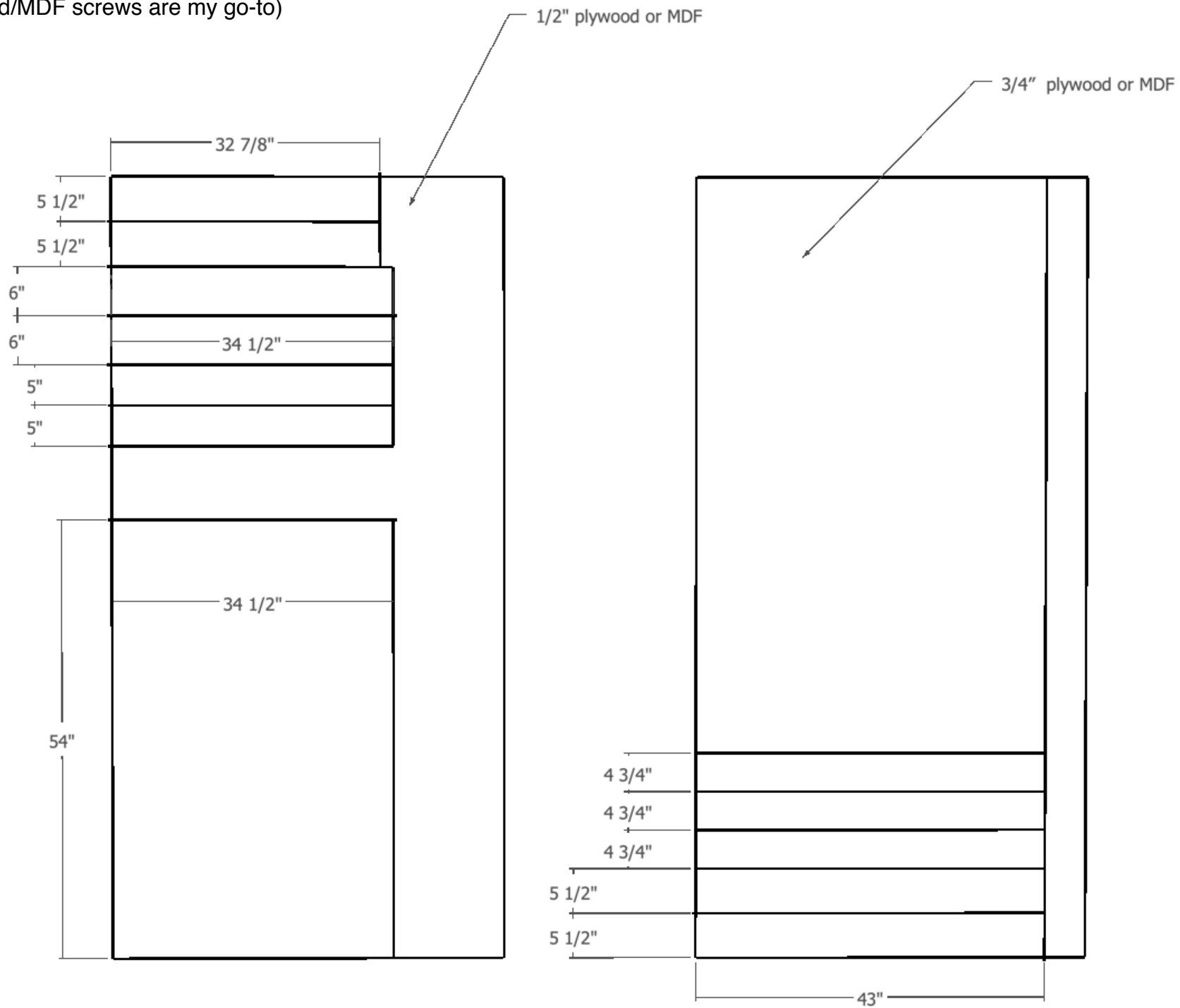
# Wrapping Paper Storage Cabinet



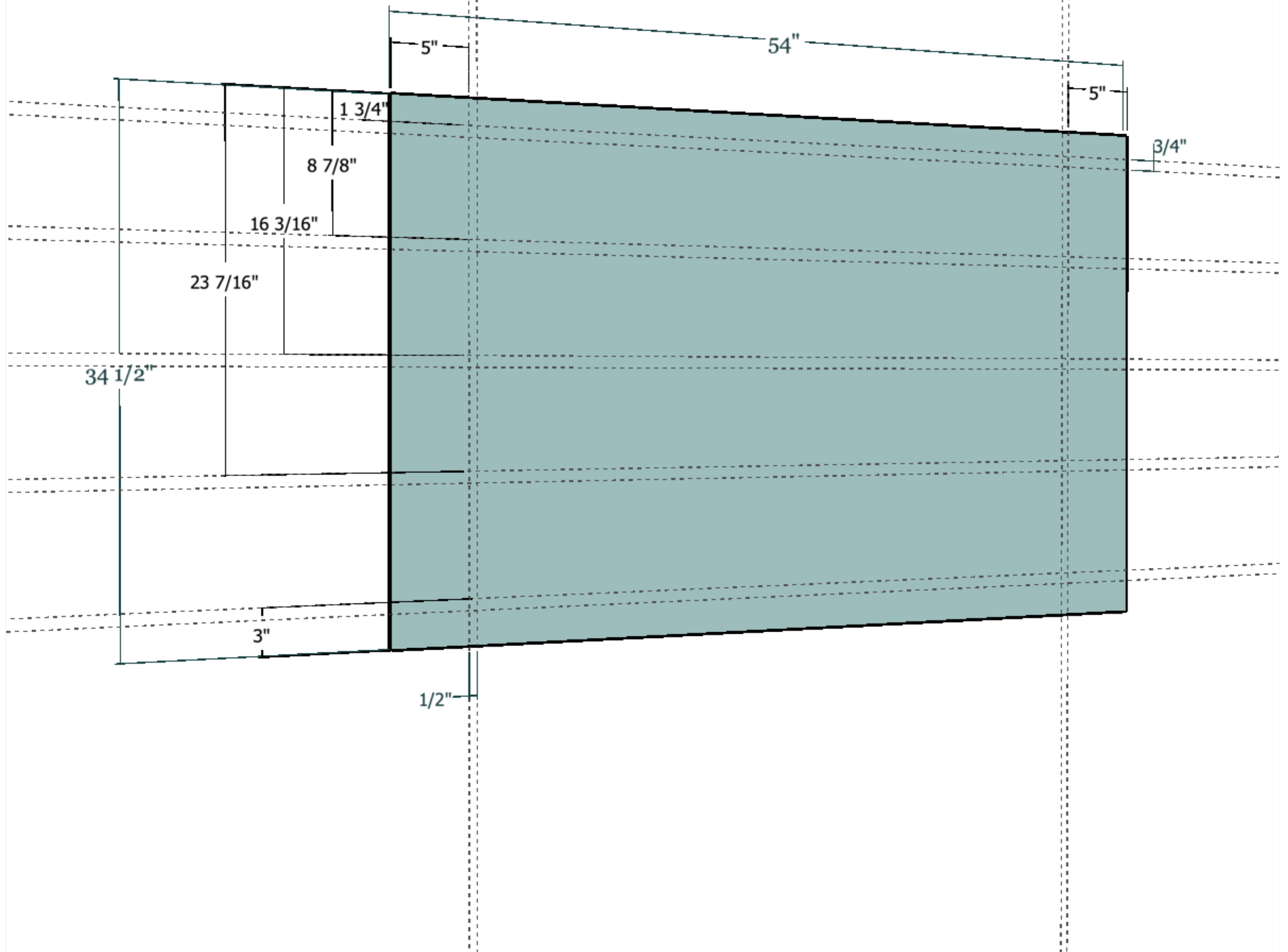
SAWDUSTGIRL.COM



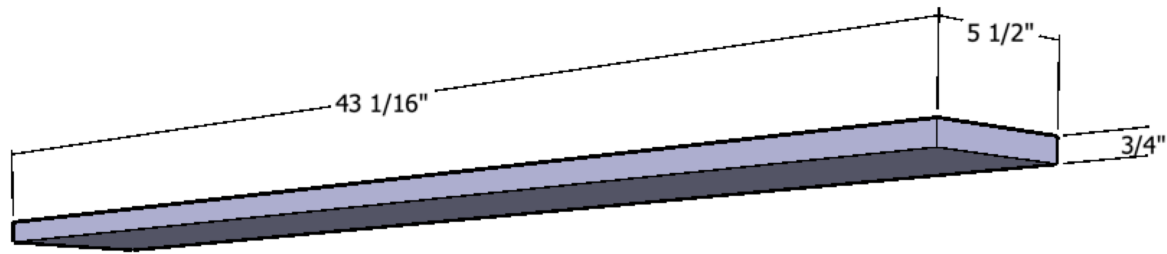
You will need 1 3/4" wood screws  
(SPAX hardwood/MDF screws are my go-to)



Draw these grid lines on the front and back of the "cabinet back". This will help you line up and attach the shelves and sides.

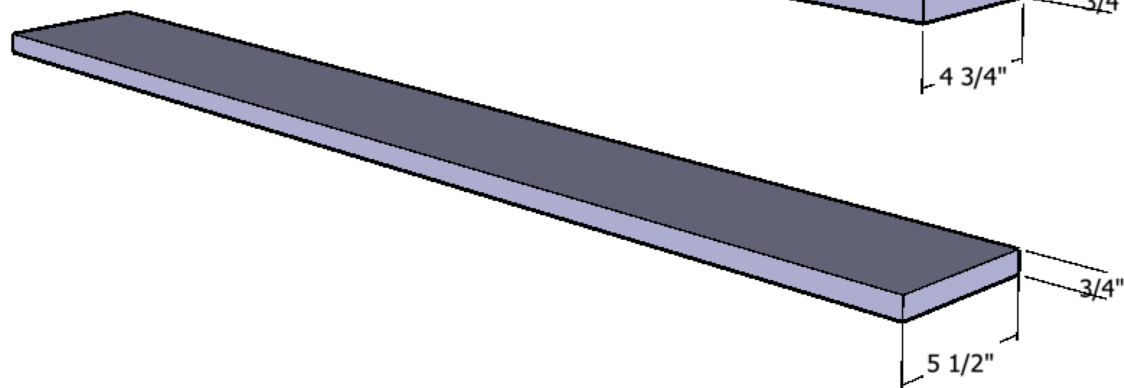
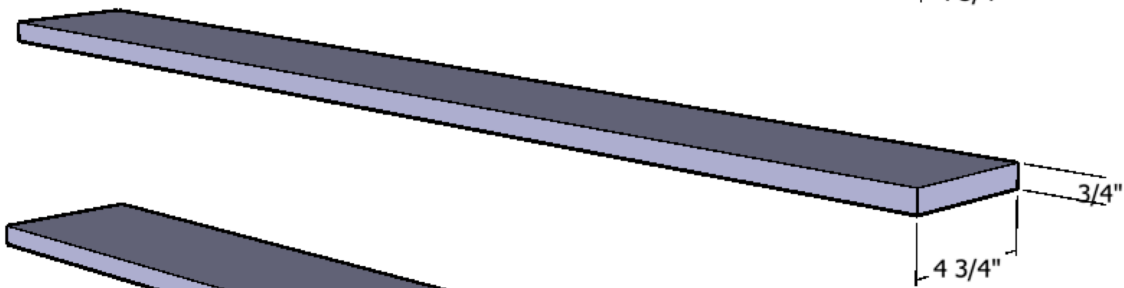
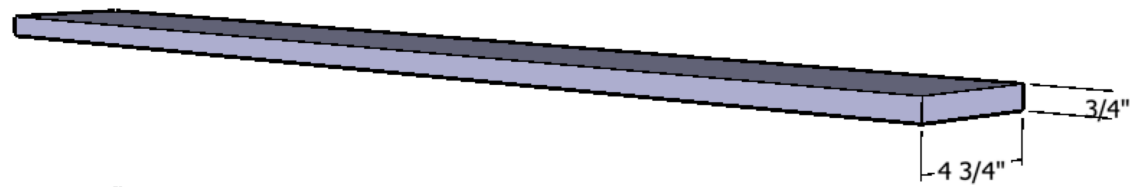
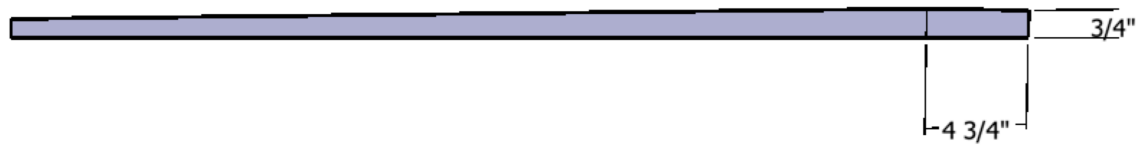


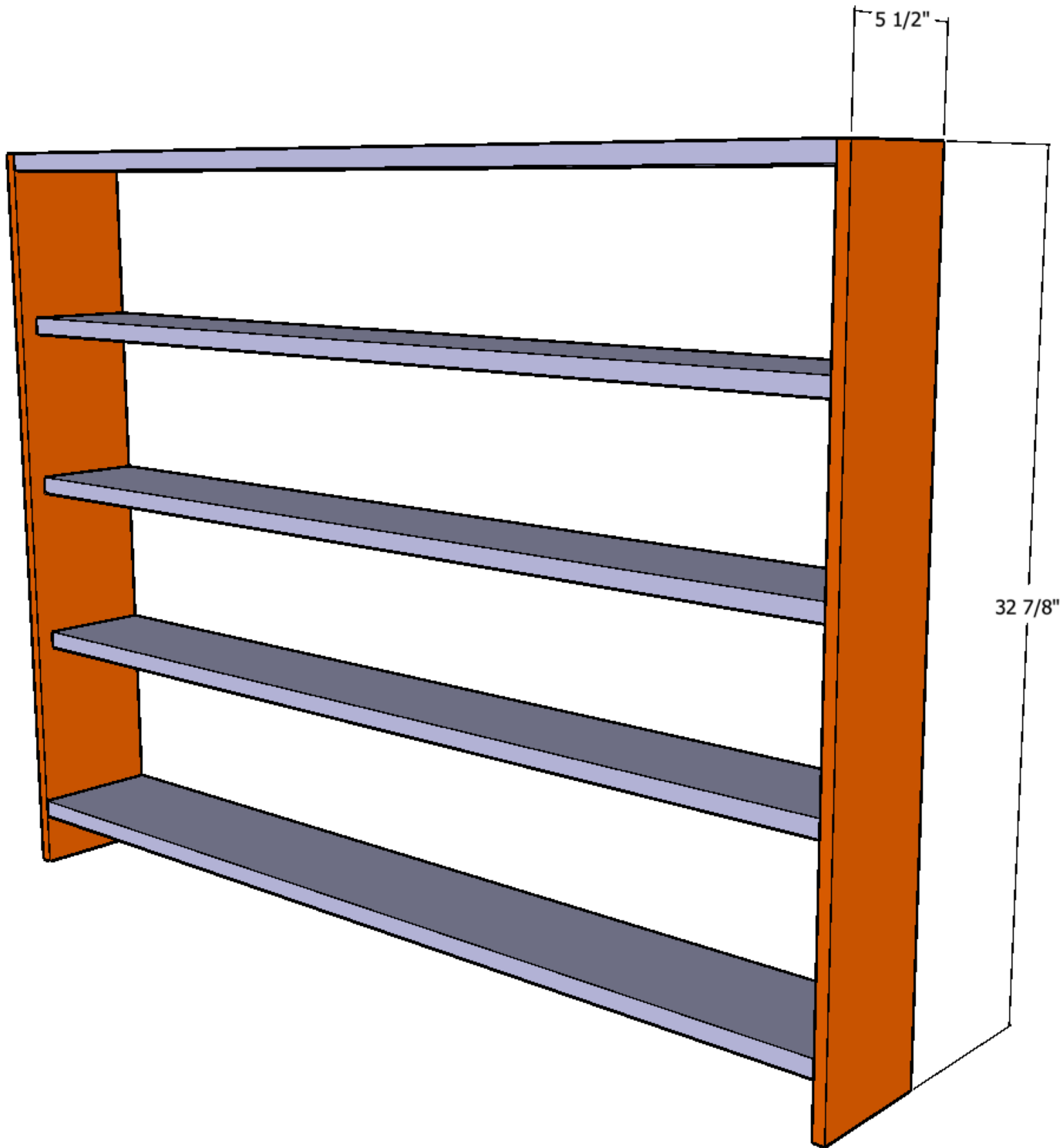




The top and bottom are  $5 \frac{1}{2}$ " wide while the shelves are  $4 \frac{3}{4}$ ".

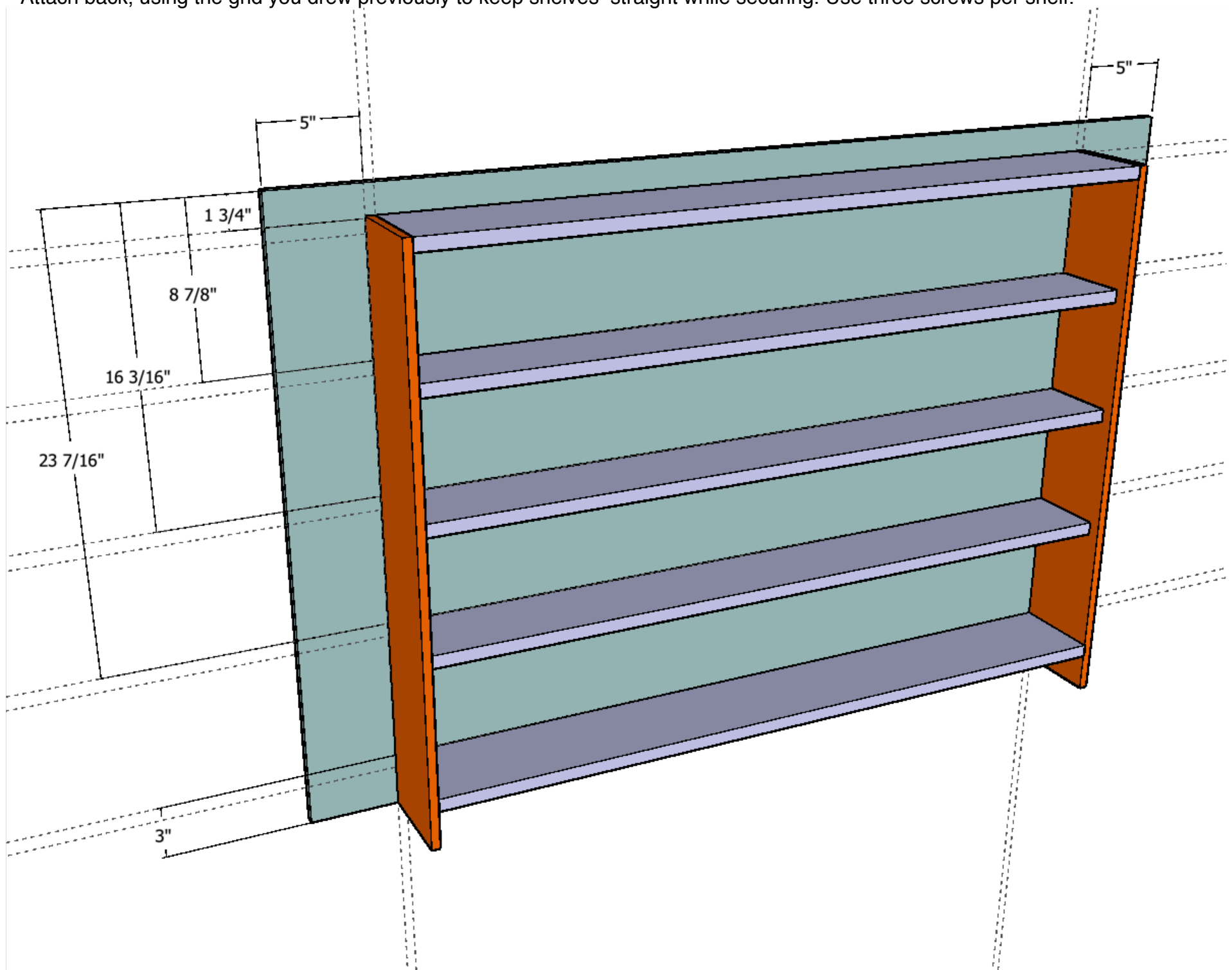
Tip: paint as many pieces as makes sense, before assembly.





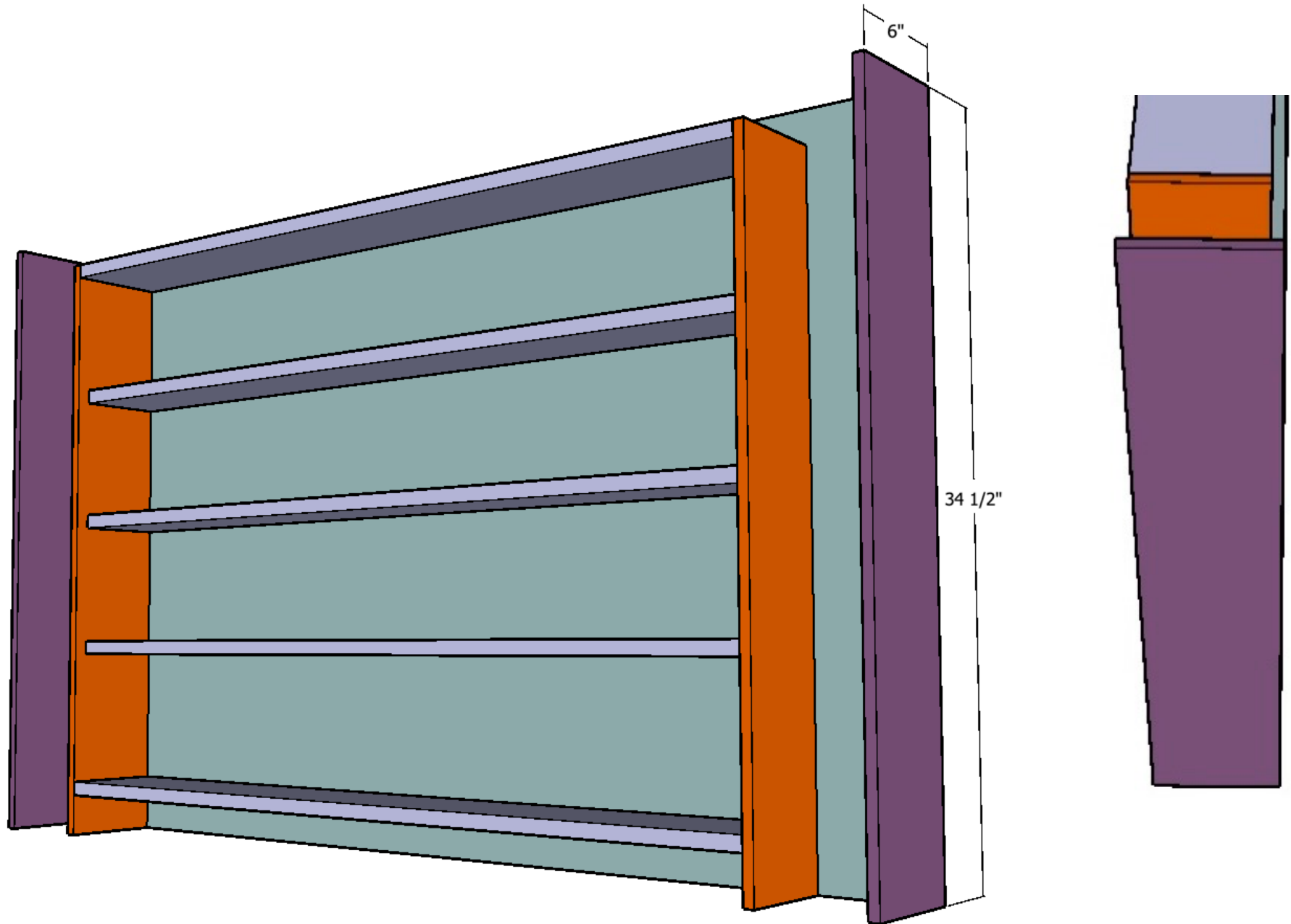
Attach shelves to sides with two screws per shelf on each side.

Attach back, using the grid you drew previously to keep shelves straight while securing. Use three screws per shelf.

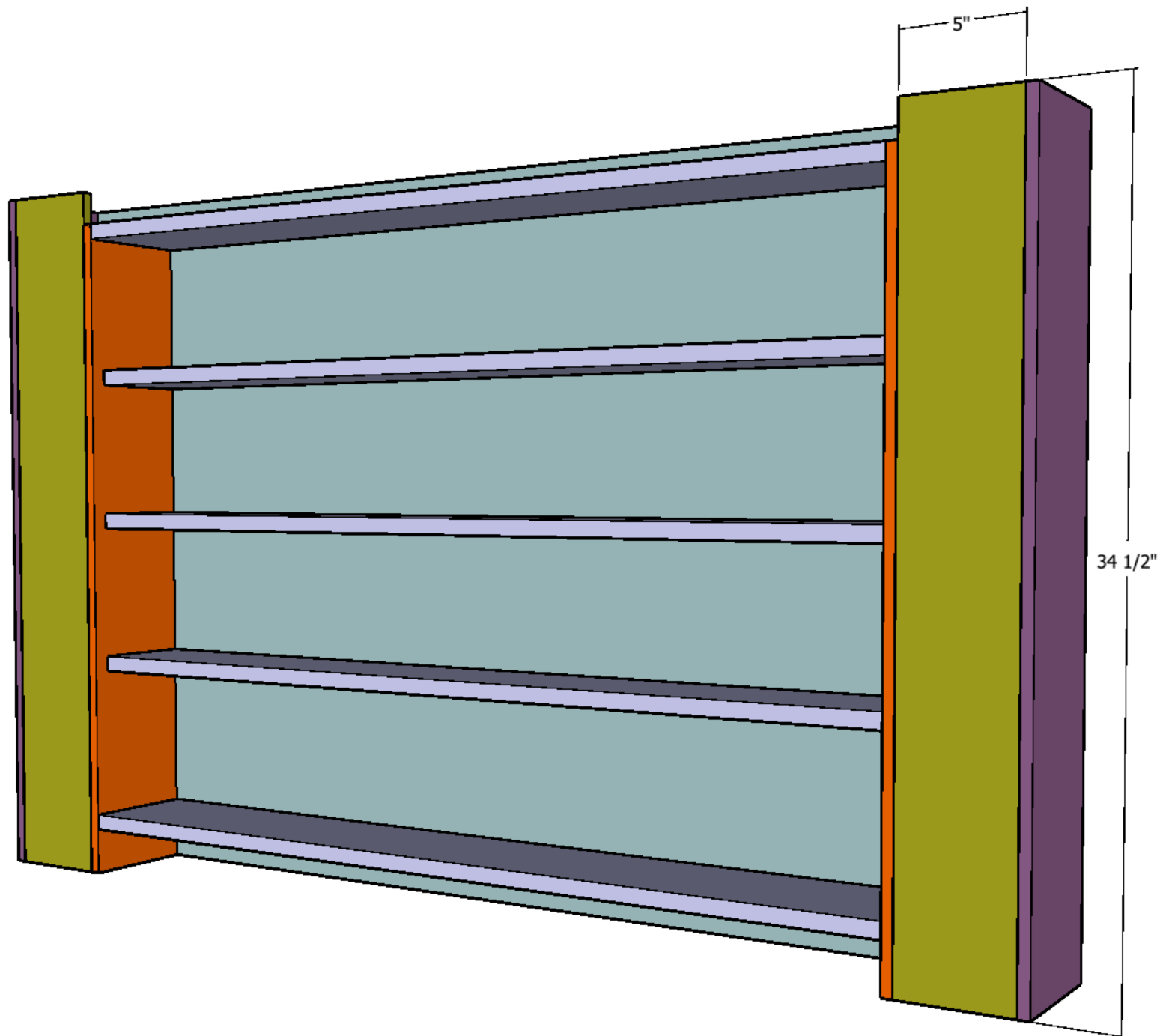


Attach side panels to back with screws. These pieces are attached to the outside of the back piece. (See detailed photo to right.)

I added power receptacles to the sides of my wrapping paper cabinet. If you plan to do this, cut the holes before installing the panels. Make sure you plan for the frame that will be added.



Attach front panels in between side panels and sides of original cabinet.



These frame pieces can be cut out of either the 1/2" or 3/4" material you have left over. Sand and fill the edges before assembly. This is much easier done when pieces are laying flat on a work surface, than after a cabinet is assembled.

These pieces can be secured in place with wood glue and finishing nails. (18 gauge)

